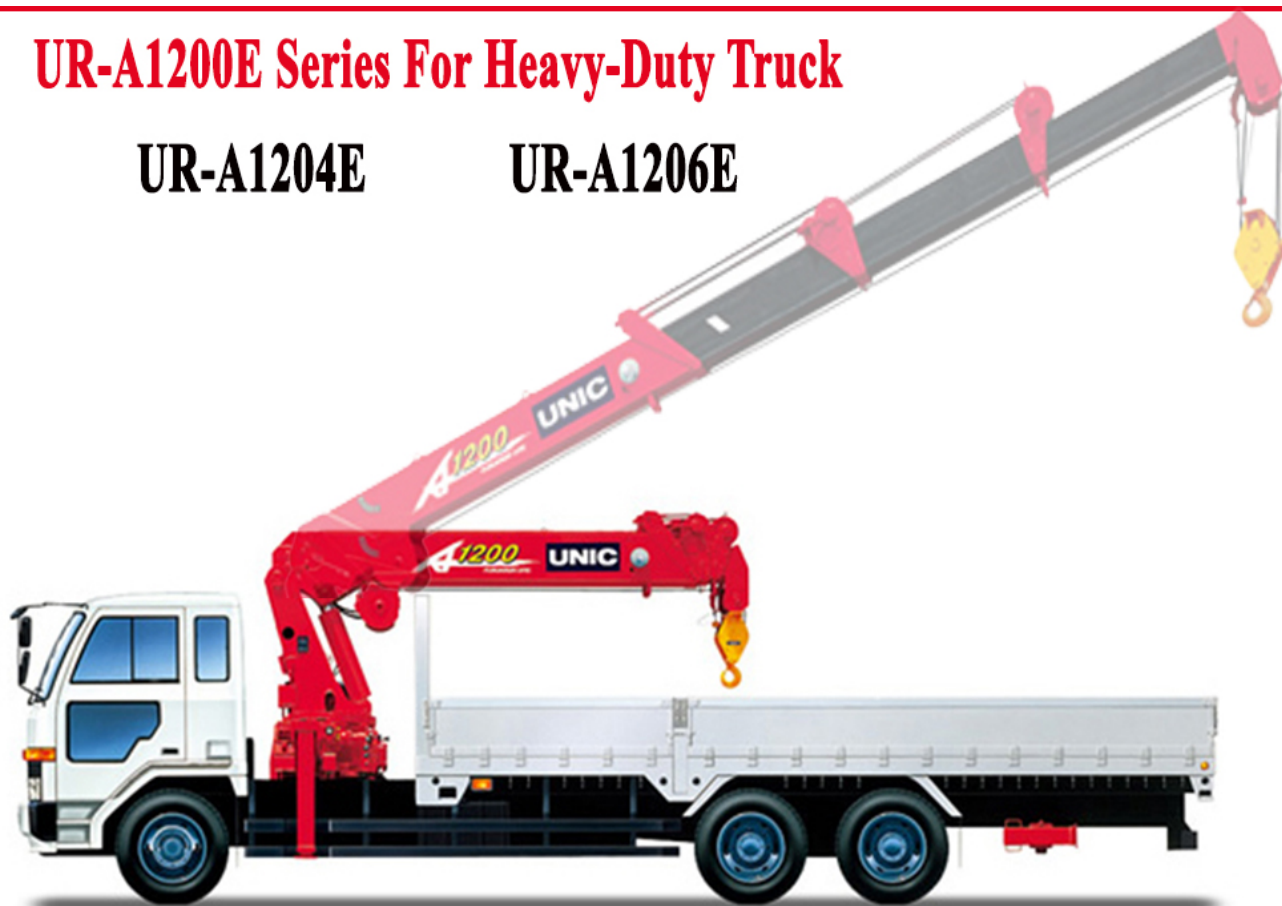


Series UR-A1200E 7,5 tấn

UR-A1200E Series For Heavy-Duty Truck

UR-A1204E

UR-A1206E



chuyendunghiephoa.com

0934 68 68 03

UR-A1200E Series For Heavy-Duty Truck

UR-A1204E

UR-A1206E



chuyendunghiephoa.com

0934 68 68 03

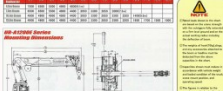
A1200E
Truck Mounted 6000 Crane
UR-A1200E Series For Heavy Duty Truck

Maximum lifting capacity: **7,500kg at 2.7m**

Maximum hook height: **21.0m (8 section boom)**

6.7m

UR-A1200E Series	
Model	Capacity
UR-A1204E	4 segments
UR-A1206E	6 segments



Series UR-A1200E 7,5 tấn
Giá bán: Chưa có đánh giá

24 h



[Hỏi về sản phẩm này](#)

Nhà sản xuất [FURUKAWA UNIC](#)

Chi tiết sản phẩm

Dòng UR-A1200E (Cầu Unic 7,5 tấn)

Dành cho xe tải hạng nặng 6x2 có tổng trọng lượng từ 24 tấn đến dòng xe 8x4 có tổng trọng lượng 32 tấn
Tải trọng nâng max 7.500 kg - Chân chống vuông so le

UR-A1200E Series For Heavy-Duty Truck

UR-A1204E

UR-A1206E



chuyendunghiephoa.com

0934 68 68 03

Cần cẩu Unic 7,5 tấn serie UR-A1200E với 2 model:

- UR-A1204E với 4 đoạn cần, chiều cao làm việc lớn nhất cho người đứng trên rổ là 15,9m
- UR-A1206E với 6 đoạn cần, chiều cao làm việc lớn nhất cho người đứng trên rổ là 22,2m

UNIC

UNIC HYDRAULIC CRANE



A1200E

*Truck Mounted UNIC Crane
UR-A1200E Series For Heavy Duty Truck*

Maximum lifting capacity. 7,500kg at 2.7m

Maximum hook height. 21.0m (6 section boom)



FURUKAWA UNIC CORPORATION

Specification Table

Model	UR-A1206E	UR-A1204E
Maximum Lifting Capacity	7,500kg at 2.7m	7,500kg at 2.7m
Maximum Hook Height	21.0m	14.7m
Working Radius	Min.0.36m to Max.18.6m	Min.0.33m to Max.12.5m
Boom Length	Min.4.8m to Max.19.2m	Min.4.6m to Max.13.0m
Boom Sections	6	4
Boom Raising Speed	-0.5° to 82° / 15.0s	
Winch Single Line Pull	18.4kN (1,875kgf)	
Winch Hook Speed	12.0m/min at 4th layer with 4-part line	
Winch Wire Rope	WRC 6×P-F(29) 10mm×78m (Breaking strength:92.2kN(9,400kgf))	WRC 6×P-F(29) 10mm×111m (Breaking strength:92.2kN(9,400kgf))
Stewing Range/Speed	360° Continuous/2.0rpm	
Outrigger Span	Min.2.26m to Max.5.70m	

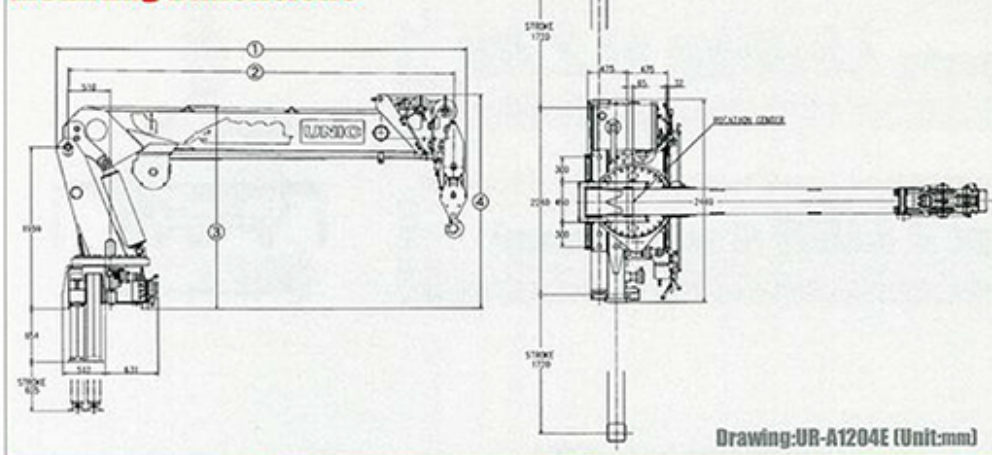
UR-A1206E Rated Loads (unit:kg)

Working Radius(m)	2.7	3.0	3.5	4.0	5.0	6.0	7.0	8.0	9.0	10.0	11.0	12.0	13.0	14.0	15.0	16.0	17.0	18.0	18.6	
4.8m Boom	7500	6200	5500	4900	4000(4.3m)															
7.7m Boom	6000	6000	5400	4800	3800	3000	2400	1800(7.2m)												
10.6m Boom	4600	4600	4600	4600	3700	3000	2450	2000	1650	1000	1000(10.1m)									
13.5m Boom	3000	3000	3000	3000	3000	2600	2200	1900	1550	1300	1100	950	500(12.9m)							
16.3m Boom	2400	2400	2400	2400	2400	2400	2050	1750	1450	1250	1050	900	800	700	600	450(15.8m)				
19.2m Boom	1400	1400	1400	1400	1400	1400	1400	1400	1200	1050	950	850	750	650	550	450	350	300	250	

UR-A1204E Rated Loads (unit:kg)

Working Radius(m)	2.7	3.0	3.5	4.0	4.5	5.0	6.0	7.0	8.0	9.0	10.0	11.0	12.0	12.5	
4.6m Boom	7500	6500	5500	4900	4800(4.1m)										
7.8m Boom	6500	6500	5500	4900	4400	3950	3300	2850	2000(7.3m)						
10.4m Boom	4900	4900	4900	4900	4400	3950	3300	2850	2500	2200	1400(9.9m)				
13.0m Boom	4900	4900	4900	4900	4400	3950	3300	2850	2500	2200	1950	1700	1500	1000	

UR-A1200E Series Mounting Dimensions



Crane Model	①	②	③	④
UR-A1206E	5,093	Min.4,800~Mid.7,700~10,600~13,500~16,300~Max.19,200	2,464	2,540
UR-A1204E	4,890	Min.4,600~Mid.7,800~10,400~Max.13,000	2,454	2,591



NOTE

- Rated loads shown in the chart are based on the crane strength with the outriggers fully extended on a firm level ground and on the actual working radius including the deflection of boom.
- The weights of hook(70kg), slings, and any accessories attached to the boom or loadline must be deducted from the above capacities in the chart.
- Capacities shown must reduce in accordance with vehicle weight and loaded condition of the truck, crane mount position, and operating speed.
- The figures in relation to the speed are on the basis of no-load running at rated oil flow conditions.
- In accordance with our policy of constant product improvement, all specifications are subject to change without notice or obligations.

FURUKAWA UNIC CORPORATION

Head Office: Center Bldg., 3-12, Higashishinagawa 2-chome, Shinagawa-ku, TOKYO 140-0002 JAPAN

Phone: (81-3) 5460-4154/ Facsimile: (81-3) 5460-4191

URL: <http://www.furukawaunic.co.jp/>

Printed in Japan C-1703C (2005.03.01.AK)

===
Hotline: 0934686803

Nhận xét

Thứ năm, 24 Tháng 11 2022

Dòng 7,5 tấn 6 khúc với chiều cao làm việc trên 20m, tuyệt vời.

Chuyên Dùng Hiệp Hòa